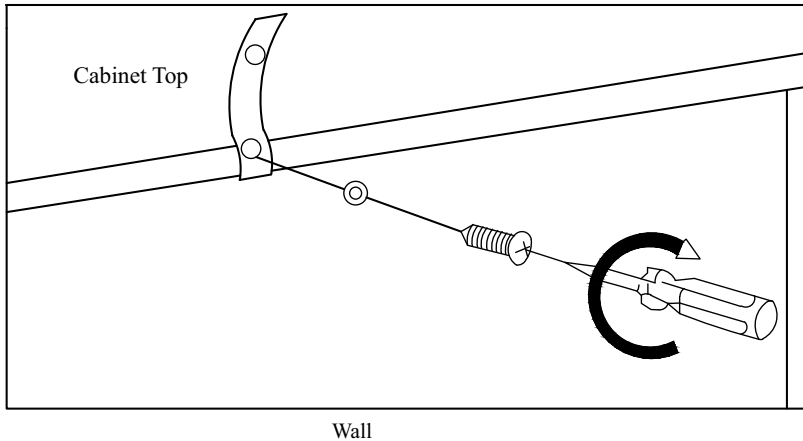
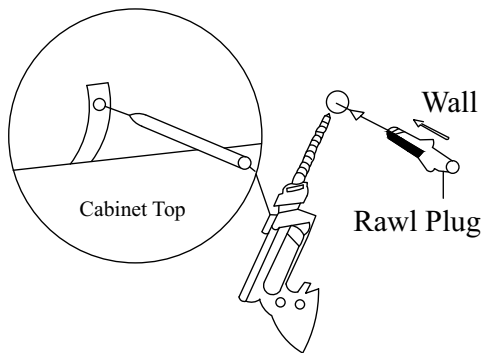


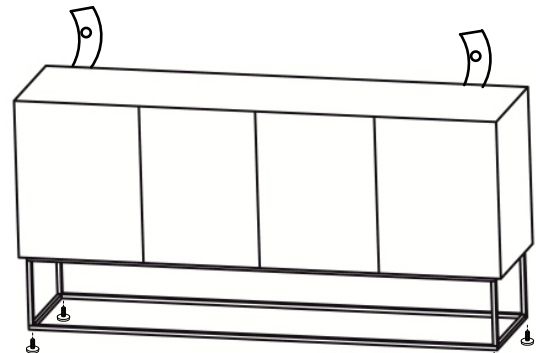
## MANDATORY : TIP STRAP FITTING INSTRUCTIONS



**STEP : 2**  
Make a mark on the wall through the strap .



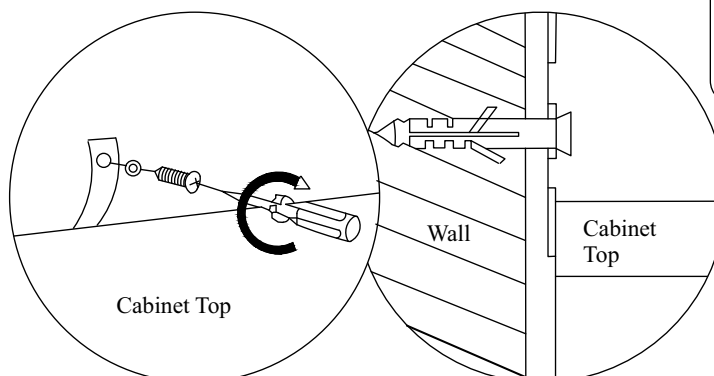
Drill a hole in the wall and insert the rawl plug .



**Hinweis:** Stellen Sie die Nivelliergeräte ein bessere Bodenstabilität.  
**Note:** Adjust levelers for better ground stability.



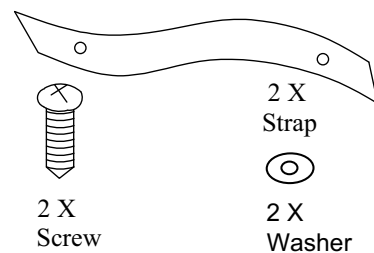
**STEP : 3**  
Insert screw through washer into hole in wall



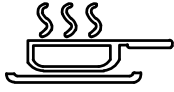
**NOTE:** Wall Fixings are not supplied with this product as different wall materials require different types of fixing devices (such as Rawl plugs on brick work) You must use fixing devices suitable for the type of wall you intend to mount this product to. Please ensure that the head of any screw used has a diameter greater than the diameter of the mounting hole on the product and that the fixing is safe and secure before use.

The strap and screw which to fix the strap on to the furniture are provided only.

### HARDWARE LIST



# Care & Maintenance



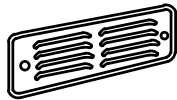
Do not put hot items directly on furniture surface.



Do not clean furniture with harsh cleansers or polish.



Do not place furniture in direct sunlight.



Do not place furniture near heating or cooling vents.



Do not write on furniture without a padded barrier to protect the surface.



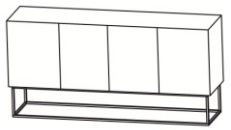
Do not place furniture outside. For indoor use only.



Dust and pick-up spills using a clean, non-colored, lint-free cloth.

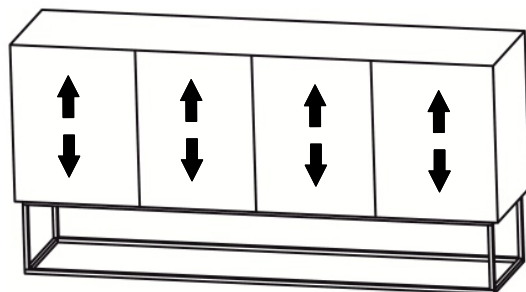


Stains may be removed with mild soap solution and damp cloth.

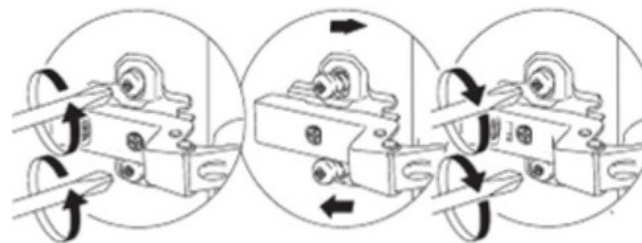


# 86707

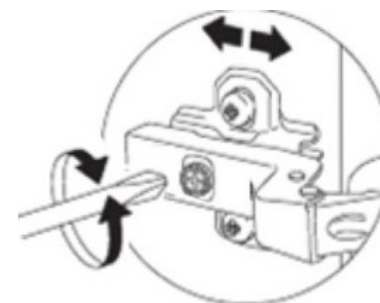
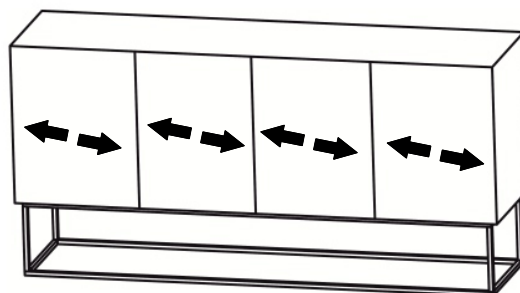
**KARE**  
DESIGN



For vertical adjustment of doors  
Für die vertikale Ausrichtung der Türen



For horizontal adjustment of doors  
Für die horizontale Ausrichtung der Türen



**NOTE:** For Door alignments, Please follow this step if needed.

**HINWEIS:** Befolgen Sie bei Türausrichtungen bei Bedarf diesen Schritt.